



Sheer
Driving Pleasure

**THE NEW
BMW M3 SALOON.
BMW M4 COUPÉ.
BMW M4 CONVERTIBLE.**



THE NEXT
100 YEARS





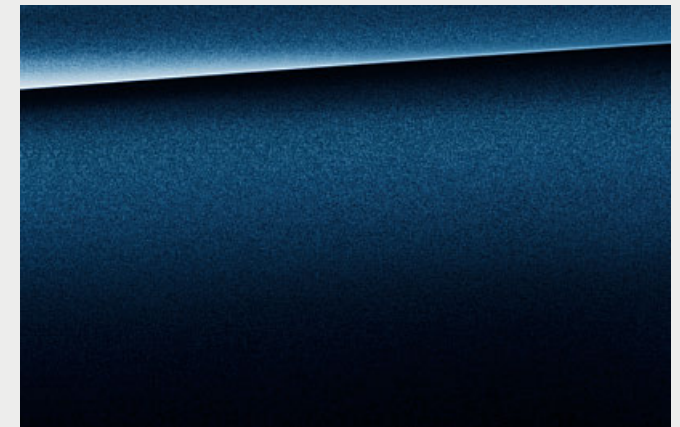
**THE NEW BMW M3 SALOON.
THE NEW BMW M4 COUPÉ.
THE NEW BMW M4 CONVERTIBLE.**

**DIGITAL DISCOVERY:
THE NEW BMW BROCHURES APP.**

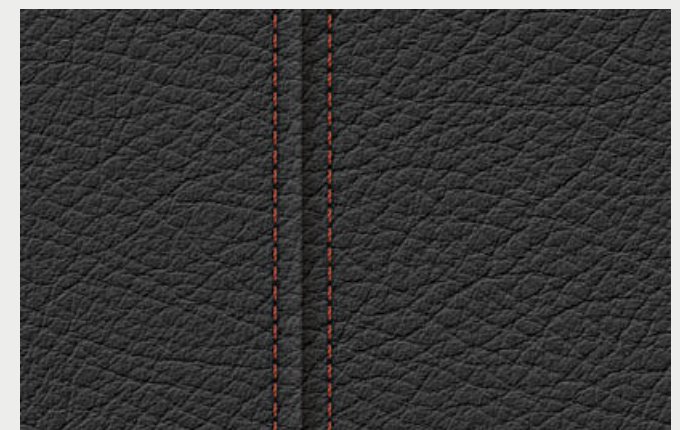
More information, more sheer driving pleasure: The new BMW brochure app offers a digital and interactive BMW experience like never before. Download the BMW brochure app for your smartphone or tablet now and rediscover your BMW.



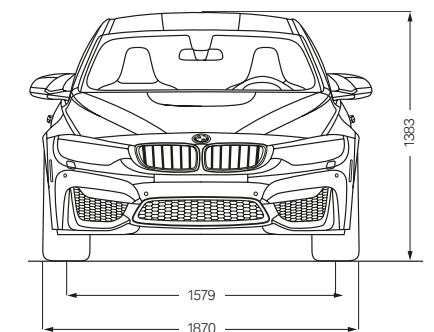
18 Equipment highlights



22 Exterior colours



24 Interior colours



26 Technical data

M D O R P H I N E S .

RADICALLY MORE.





DO YOU POSSESS IT? OR DOES IT POSSESS YOU?

FORGED, BURNISHED M LIGHT ALLOY STAR-SPOKE
666 M WHEELS, BLACK¹ /// M CARBON CERAMIC BRAKES¹ ///
SPORTY COUPÉ LINES AND A CARBON ROOF

¹ Available as optional equipment.

BUCKLE UP – AND UNLEASH.

M SPORT SEATS WITH BELT SLOTS¹ OFFER OPTIMAL SUPPORT DURING SPORTY DRIVING /// M SAFETY BELTS WITH M STRIPES /// M LEATHER STEERING WHEEL WITH M DRIVE BUTTONS AND SHIFT PADDLES /// DOORSILL FINISHERS WITH CHROME INSERTS AND MODEL LETTERING

¹ Available as optional equipment.



DRIVING PLEASURE, MADE FROM ADRENALIN.

FULL LED HEADLIGHTS WITH HEXAGONAL DESIGN ///
M BONNET WITH POWERDOME /// M DOUBLE SLATS AND
M GILLS WITH AIR BREATHERS IN HIGH-GLOSS BLACK



M4



ROOF OPEN, READY FOR ACTION.

M COMPETITION PACKAGE¹ /// 331 kW (450 HP) ///
ADAPTIVE M SUSPENSION WITH NEW TUNING
FOR ALL DRIVE MODES /// NEW SETTINGS FOR
DSC AND ACTIVE M DIFFERENTIAL

¹ Available as optional equipment.





M3



DESIGN, AS FAST AS THE EYE CAN SEE.

NEW REAR DESIGN ACCENTUATES WIDTH FOR A VISUALLY EXTREMELY DEEP CENTRE OF GRAVITY /// DIFFUSER WITH FOUR INTEGRATED BEVELLED TAILPIPES /// TWO-PART REAR LIGHTS WITH NEW LIGHTING GRAPHIC



A SHOW OF STRENGTH.

MORE PERFORMANCE, MORE DESIGN, MORE M. WITH UP TO 450 HP UNDER THE BONNET, BORN FOR THE RACETRACK AND AT HOME IN THE FAST LANE. AN AGGRESSIVE DESIGN THAT DRAWS ADMIRING LOOKS. AN ATHLETIC INTERIOR THAT OFFERS COMFORT: HERE, IN THE M SPORT SEATS AND SURROUNDED BY THE FINEST LEATHER¹, IS WHERE THE ENDORPHINES ARE RELEASED. STARTING IN POLE POSITION, SENSES ALIVE, HANDS FIXED TO THE WHEEL. YOU'RE READY FOR ACTION. ULTIMATE DRIVING MACHINES: THE NEW **BMW M4 COUPÉ** AND **M4 CONVERTIBLE** AND THE NEW **BMW M3 SALOON**.

¹ Available as optional equipment.

EQUIPMENT HIGHLIGHTS.

Discover more with the new BMW catalogue app. Now available for your smartphone and tablet.

■ Standard equipment □ Optional equipment



■ Made of carbon fibre reinforced plastic (CFRP), the precision strut brace increases frontend rigidity, steering precision and accuracy.



■ The distinctive M gills underscore the car's sporty appearance and optimise aerodynamics with an integrated Air Breather.



□ The two bevelled M double tailpipes finished in black chrome integrate harmoniously with the flowing lines of the rear apron.



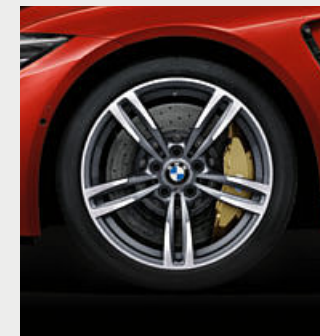
■ The M kidney grille with high-gloss black double slats and model designation emphasises the forward-thrusting design of the front profile.



□ Adaptive LED headlights with full LED technology include integrated turn indicators, low-beam headlights, high-beam headlights, as well as daytime running lights for safety and optimal illumination of the road. The High-beam assistant and Adaptive headlights with variable light control significantly enhance visibility in the dark – for relaxed driving almost like during the day.



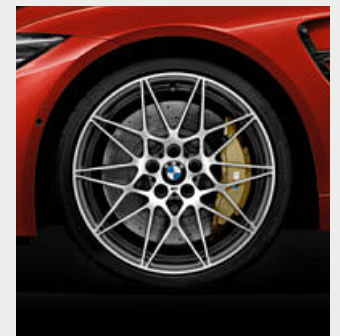
■ 18" M light alloy wheels V-spoke style 513 M with mixed tyres.



□ 19" M light alloy wheels Double-spoke style 437 M with mixed tyres.



□ 19" M light alloy wheels Double-spoke style 437 M with mixed tyres, black.



□ 20" M light alloy wheels Star-spoke style 666 M, forged and with mixed tyres².



■ The M specific exterior mirrors with a double-bridged design and additional integrated LED indicators accentuate the sporty character of the car.



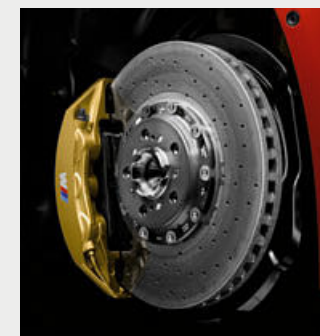
□ The electric glass sunroof¹ provides the pleasant feel of a generously proportioned, airy interior. The integrated wind deflector guarantees a high level of acoustic comfort.



■ As part of the BMW intelligent lightweight construction concept, the Carbon roof¹ made of carbon fibre reinforced plastic (CFRP) helps to reduce the vehicle's weight.



■ Thanks to the use of a special material mix, M compound brakes achieve outstanding deceleration values and are extremely stable and highly durable.



□ The weight-optimised M Carbon ceramic brake³ provides ideal traction, high thermal resistance and is highly durable.



□ 20" M light alloy wheels Star-spoke style 666 M, forged and with mixed tyres, black².

¹ Only in conjunction with optional Competition Package. May not be available in all countries, please consult your local BMW partner for further information.
² Only in conjunction with BMW M4 Coupé and BMW M3 Saloon.
³ Depending on conditions and usage, features specific to the materials used can lead to operational noises, particularly in wet conditions, just before the

vehicle comes to a halt. The impact of moisture and road salt can cause the braking action to be equivalent to a conventional brake system. This can, for a short time, be experienced as a reduction in braking action and can be balanced out by greater pressure on the pedal where necessary.

EQUIPMENT HIGHLIGHTS.

Discover more with the new BMW catalogue app. Now available for your smartphone and tablet.

■ Standard equipment □ Optional equipment



□ The lightweight M Sport seats¹ from the Competition package emphasise the athletic orientation of the vehicle in the interior. Optimum lateral support for the driver and front passenger is provided by long seat surfaces and width-adjustable seat backs with vertical apertures.



■ The Lights package features numerous LED lights both inside and outside for increased convenience and a stylish look for the interior.



■ The M Leather steering wheel including multifunction buttons and an integrated driver-side airbag features the three-spoke design. With a steering wheel rim in leather 'Walkappa' Black with black stitching and contoured thumb rests, it provides a direct, athletic steering experience.



□ Telephony with wireless charging² offers a comprehensive telephony package with Bluetooth connectivity and the technical capacity for a WiFi hotspot.



■ The Instrument cluster with extended contents: includes Info Display for the presentation of navigation instructions and various controls.



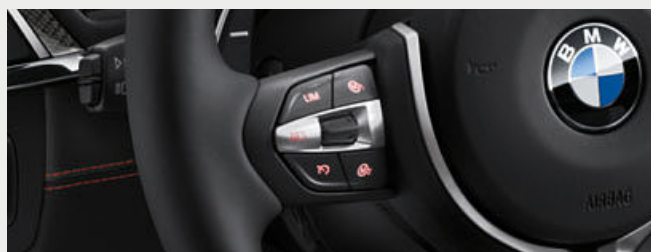
□ Shift gears without interruption in tractive force, without using the clutch and without slowing down: the 7-speed M double-clutch transmission with Drivelogic makes this possible. Gears can be changed automatically or manually using the gearshift paddles on the steering wheel or the gear lever. Launch Control guarantees maximum acceleration from a standing start.



□ The Navigation system Professional³ includes a hands-free facility, a USB interface and the Radio BMW Professional, among other things.



□ Harman Kardon surround sound system with 600 watt digital amplifier⁴, vehicle-specific equalising and loudspeakers with chrome detailing.



■ M Drive allows for the individual configuration of the vehicle set-up by adjusting the engine, damper and steering characteristics, as well as the transmission.



■ As soon as the door is opened, the characteristic M entry sills with M designation hints at the excitement to come when the driver gets behind the wheel.



□ Preparation for Apple CarPlay⁵ supports the convenient and wireless use of a selected iPhone[®] functions in the vehicle. This allows smartphone content, along with functions such as music, iMessages/text messages, telephony, Siri, navigation and selected third-party apps to be displayed and operated via the vehicle's user interface and via Voice control.



□ Surround View includes the camera-based functions Top View, Rear view camera and Side View. Cameras in the exterior mirrors and a Rear view camera allow a 270° view to be shown on the Control Display, as well as an overhead view. Side View makes it easier to approach intersections and driveways with difficult visibility.

¹ Only in conjunction with BMW M4 Coupé and BMW M3 Saloon.

² Inductive charging for Qi-compatible mobile phones is possible. Special charging cases are available from Original BMW Accessories for smartphones that do not offer Qi inductive charging.

³ As part of BMW ConnectedDrive, in selected European countries, the system automatically updates maps for three years up to four times per year without incurring licensing fees.

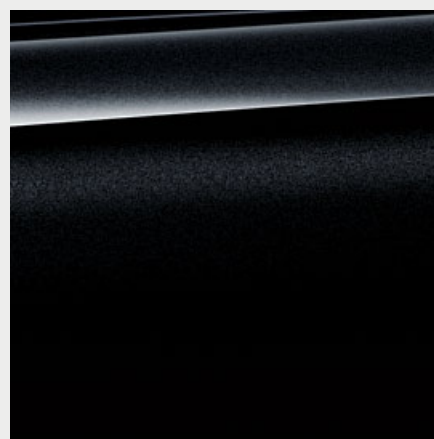
⁴ BMW M4 Convertible with 515-watt digital amplifier.

⁵ The compatibility and range of functions from Apple CarPlay[®] depend on the model year and the software installed on the iPhone[®]. When the Apple CarPlay[®] preparation is used, selected vehicle data is transferred to the phone. The mobile phone manufacturer is responsible for further data processing.

EXTERIOR COLOURS.

Discover more with the new BMW catalogue app. Now available for your smartphone and tablet.

■ Standard equipment □ Optional equipment



□ **Metallic** 475 Black Sapphire



□ **Metallic** B39 Mineral Grey



□ **Metallic** B68 Yas Marina Blue



■ **Non-metallic** 300 Alpine White



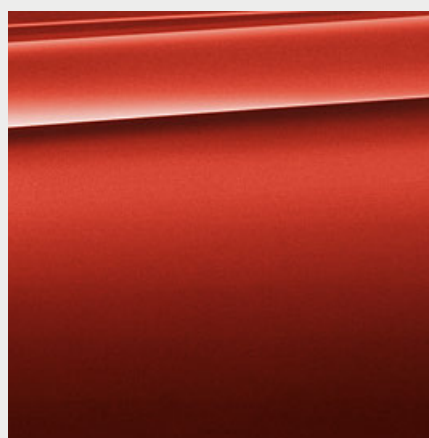
□ **Metallic** A96 Mineral White



□ **Metallic** A29 Silverstone

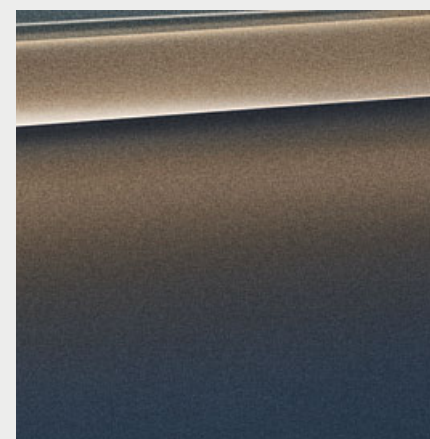


□ **Metallic** B67 Austin Yellow

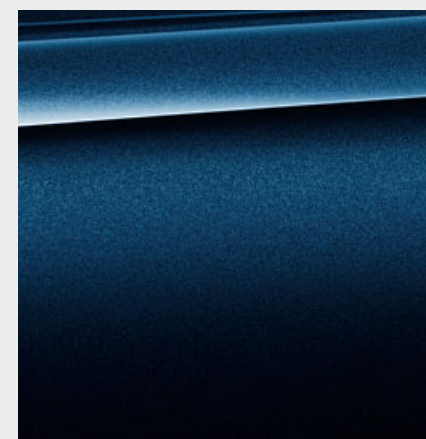


□ **Metallic** C1H Sakhir Orange II

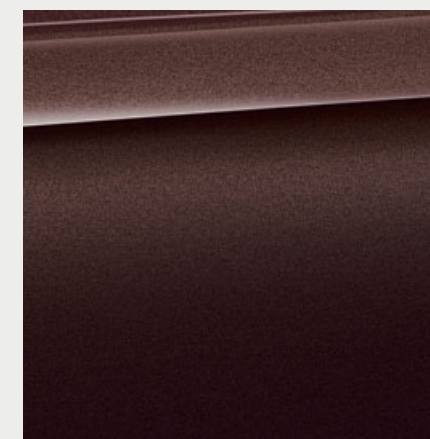
BMW INDIVIDUAL



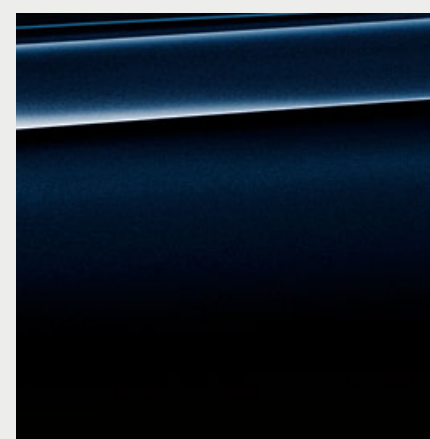
□ **BMW Individual**
X08 Champagne Quartz metallic



□ **BMW Individual**
X10 Tanzanite Blue metallic



□ **BMW Individual**
X12 Smoky Topaz metallic



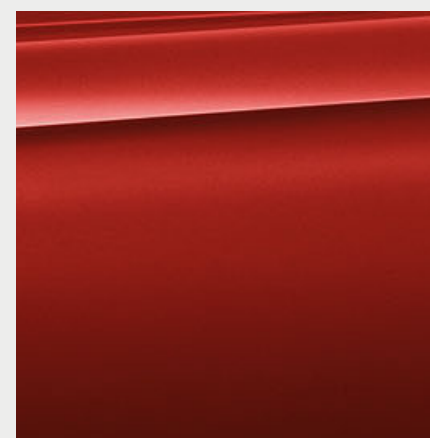
□ **BMW Individual**
S34 Azurite Black metallic



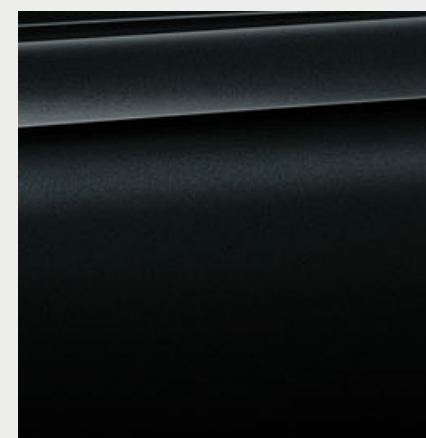
□ **BMW Individual**
490 Frozen Brilliant White metallic¹



□ **BMW Individual**
490 Frozen Silver metallic¹



□ **BMW Individual**
490 Frozen Red II metallic¹



□ **BMW Individual**
490 Frozen Black metallic¹

[Colours] The colours printed above are intended to provide you with a first impression of paints and materials available for your BMW. Experience has shown, however, that printed images of paint, upholstery and interior trim colours cannot faithfully reproduce

the actual appearance of the originals. We recommend therefore that you consult your BMW partner who will be able to show you original samples and assist with special requests.

¹ For the BMW M4 Coupé and the BMW M3 Saloon, only available in conjunction with a carbon roof.

INTERIOR COLOURS.

Discover more with the new BMW catalogue app. Now available for your smartphone and tablet.

■ Standard equipment □ Optional equipment

UPHOLSTERY COLOURS



<input checked="" type="checkbox"/> Cloth/leather combination Carbon structure CSAT Anthracite ¹	<input type="checkbox"/> Full fine-grain Merino leather X3DA Sakhir Orange	<input type="checkbox"/> Extended fine-grain Merino leather LKA9 Silverstone ²
<input type="checkbox"/> Full fine-grain Merino leather X3SW Black	<input type="checkbox"/> Full fine-grain Merino leather X3JR Sonoma Beige	<input type="checkbox"/> Extended fine-grain Merino leather LKDA Sakhir Orange ²
<input type="checkbox"/> Full fine-grain Merino leather X3A9 Silverstone	<input type="checkbox"/> Extended fine-grain Merino leather LKSW Black ²	<input type="checkbox"/> Extended fine-grain Merino leather LKJR Sonoma Beige ²

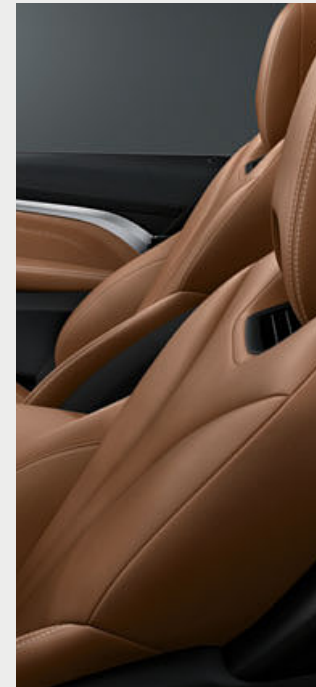
INTERIOR TRIMS



<input checked="" type="checkbox"/> 4WH Blue Shadow with high-gloss Black finisher	<input type="checkbox"/> 4FU Fine-wood trim Finitione Anthracite, Pearl Chrome finisher	<input checked="" type="checkbox"/> Black
<input type="checkbox"/> 4WK Aluminium Blade with Black Chrome finisher		
<input type="checkbox"/> 4WL Carbon fibre with Black Chrome finisher		

INTERIOR COLOURS

BMW INDIVIDUAL



UPHOLSTERY COLOURS

<input type="checkbox"/> BMW Individual fine-grain Merino leather ZAOW Opal White ³	<input type="checkbox"/> BMW Individual fine-grain Merino leather ZAML Nutmeg ³	<input type="checkbox"/> BMW Individual contrast stitching Z1XX Full fine-grain Merino leather in Black with Sakhir Orange stitching ⁴
<input type="checkbox"/> BMW Individual fine-grain Merino leather ZAP5 Amaro Brown ³	<input type="checkbox"/> BMW Individual fine-grain Merino leather ZAWT Cohiba Brown ³	<input type="checkbox"/> BMW Individual contrast stitching Z1XX Full fine-grain Merino leather in Black with Blue stitching ⁴
<input type="checkbox"/> BMW Individual fine-grain Merino leather ZAG8 Gold Brown ³	<input type="checkbox"/> BMW Individual contrast stitching Z1XX Full fine-grain Merino leather in Black with Yellow stitching ⁴	<input type="checkbox"/> BMW Individual contrast stitching Z1XX Full fine-grain Merino leather in Black with Silverstone stitching ⁴

BMW INDIVIDUAL



INTERIOR TRIMS

<input type="checkbox"/> BMW Individual interior trim XEX Fine-wood trim Ash Grain White, Pearl-Gloss Chrome accent line
<input type="checkbox"/> BMW Individual interior trim XE5 Fine-wood trim Plane Auburn dark, Pearl-Gloss Chrome accent line
<input type="checkbox"/> BMW Individual interior trim XE7 Piano finish Black, Pearl-Gloss Chrome accent line

INTERIOR COLOURS

<input type="checkbox"/> Black

Please note that even normal long or short-term use can lead to permanent upholstery damage. This can be caused in particular by non-colourfast clothing.

The interior colour is dependent on the chosen upholstery colour.

¹ Only available for the new BMW M3 Saloon and the new BMW M4 Coupé.

² Standard for the new BMW M4 Convertible.

³ BMW Individual extended fine-grain Merino leather includes front and rear seats,

headrests, door panel inserts, door and centre console armrests. Contrast stitching features on the front and rear seats as well as the headrests.

⁴ Contrast stitching features on the front and rear seats as well as the headrests.

TECHNICAL DATA.
BMW M4 Coupé
BMW M3 Saloon
BMW M4 Convertible
Weight

Unladen EU ^{1,2}	kg	1590 [1615]	1610 [1635]	1840 [1865]
Max. permissible	kg	2040 [2040]	2100 [2100]	2250 [2250]
Permitted load	kg	525 [500]	565 [540]	485 [460]
Permitted trailer load, unbraked	kg	–	–	–
Permitted trailer load, braked, max. 12% gradient/8% gradient	kg	–/–	–/–	–/–
Luggage compartment capacity	l	445	480	220–370

Engine^{3,4}

Cylinders/valves		6/4	6/4	6/4
Capacity	cc	2979	2979	2979
Rated output/engine speed	kW (hp)/rpm	317 (431)/5500–7300	317 (431)/5500–7300	317 (431)/5500–7300
Rated output/engine speed with M Competition package	kW (hp)/rpm	331 (450)/7000	331 (450)/7000	331 (450)/7000
Max. torque/engine speed	Nm/rpm	550/1850–5500	550/1850–5500	550/1850–5500
Max. torque/engine speed with M Competition package	Nm/rpm	550/2350–5500	550/2350–5500	550/2350–5500

Power delivery

Drive configuration		Rear wheel	Rear wheel	Rear wheel
Standard transmission		6-speed manual	6-speed manual	6-speed manual

Performance

Top speed	km/h	250 ⁵ [250 ⁵]	250 ⁵ [250 ⁵]	250 ⁵ [250 ⁵]
Acceleration 0–100km/h	s	4.3 [4.1]	4.3 [4.1]	4.6 [4.4]
Acceleration 0–100km/h with M Competition package	s	4.2 [4.0]	4.2 [4.0]	4.5 [4.3]

Fuel consumption^{3,4}

Urban	l/100km	12.0 [11.1]	12.0 [11.1]	12.4 [11.5]
Extra urban	l/100km	6.9 [6.7]	6.9 [6.7]	7.2 [7.1]
Combined	l/100km	8.8 [8.3]	8.8 [8.3]	9.1 [8.7]
CO ₂ emissions	g/km	204 [194]	204 [194]	213 [203]
Tank capacity, approx.	l	60	60	60

Wheels/tyres

Tyre dimensions		255/40 ZR 18 Y / 275/40 ZR 18 Y	255/40 ZR 18 Y / 275/40 ZR 18 Y	255/40 ZR 18 Y / 275/40 ZR 18 Y
Wheel dimensions		9 J x 18/10 J x 18	9 J x 18/10 J x 18	9 J x 18/10 J x 18
Material		Light alloy	Light alloy	Light alloy

Values in [] are for vehicles with M Double Clutch Transmission with Drivelogic.

¹ Market-specific equipment is excluded.

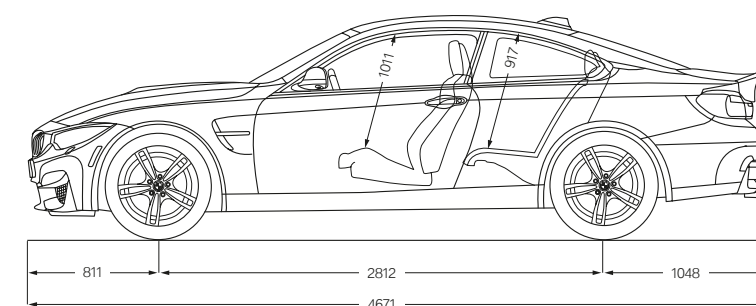
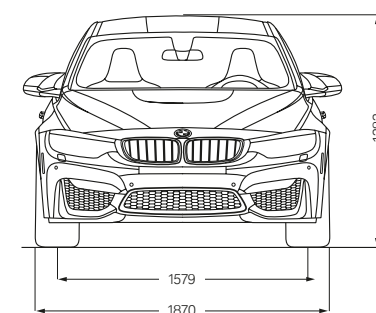
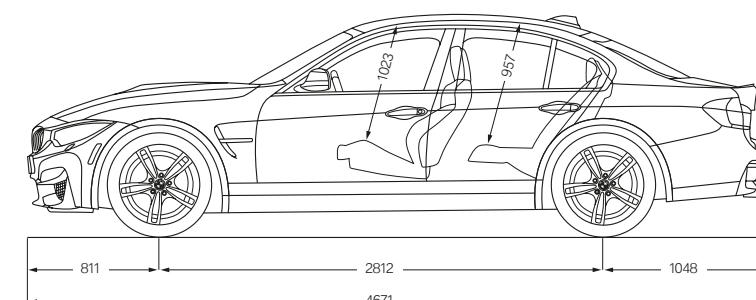
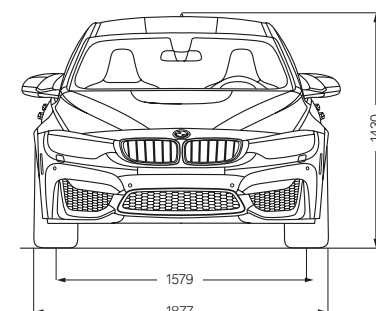
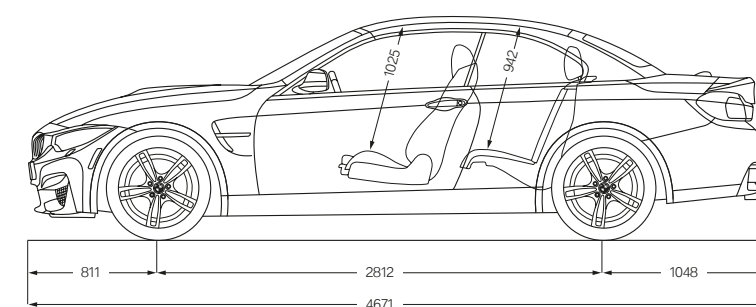
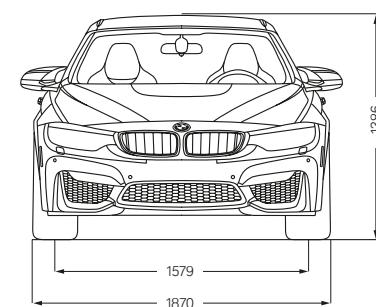
² Figures quoted are based on a 90% full tank, driver weight of 68kg and 7kg of luggage. Unladen weight applies to vehicles with standard equipment. Optional equipment may increase these figures.

³ BMW recommends the use of RON 95 super unleaded petrol. Unleaded RON 91 and higher with a maximum ethanol content of 10% (E10) may also be used. Performance and fuel consumption data apply to vehicles using RON 98 fuel.

⁴ All engines comply with the EU6 emissions standard. Fuel consumption figures are determined according to the ECE driving cycle, which consists of approximately one-third urban and two-thirds extra-urban driving (based on the distance covered). CO₂ emissions are measured in addition to fuel consumption. Optional equipment may increase these figures. Fuel consumption and CO₂ emissions are dependent on selected tyre format (higher figures refer to models with optional wheels).

⁵ Electronically limited.

All options listed in this brochure are installed in the factory. If you have additional requirements, your BMW Partner can provide a comprehensive accessories brochure. For even more specific requests for your BMW, there is also BMW Individual. Here, you can find exactly the right solution, whatever your equipment needs. Should you have any questions, your BMW Partner will be delighted to advise.

BMW M4 Coupé

BMW M3 Saloon

BMW M4 Convertible


All dimensions in the technical drawings are given in millimetres.

BMW M3 SALOON WITH M COMPETITION PACKAGE:

M TwinPower Turbo in-line six-cylinder petrol engine, 331 kW (450 hp), 20" M light alloy Star-spoke style 666 M wheels, forged, with mixed tyres, Tanzanite Blue metallic exterior colour, seats in Opal White full Merino leather, BMW Individual Piano finish Black interior trim.

BMW M4 COUPÉ WITH M COMPETITION PACKAGE:

M TwinPower Turbo in-line six-cylinder petrol engine, 331 kW (450 hp), 20" M light alloy Star-spoke style 666 M wheels, black, forged, with mixed tyres, Sakhir Orange II metallic exterior colour, seats in Black full Merino leather with contrast stitching in Sakhir Orange, Carbon Fibre interior trim with Black chrome highlight trim.

BMW M4 CONVERTIBLE WITH M COMPETITION PACKAGE:

M TwinPower Turbo in-line six-cylinder petrol engine, 331 kW (450 hp), 20" M light alloy Star-spoke style 666 M wheels, forged, with mixed tyres, Smoky Topaz metallic exterior colour, seats in Silverstone II full Merino leather, BMW Individual Piano finish Black interior trim.

The models illustrated in this brochure show the equipment and configuration options (standard and optional) for vehicles produced by BMW AG for the German market. Alterations in standard and optional equipment and the configurations available for the different models, as described in this brochure, may occur after 17.03.2017, the date when this brochure went to press, or according to the specific requirements of other markets. Your local BMW Partner is available to provide further details. Subject to alteration in design and equipment.

© BMW AG, Munich, Germany. Reproduction, even in part, only with the written approval of BMW AG, Munich.

411 999 019 20 1 2017 BM. Printed in Germany 2017.

